

STAINLESS STEEL DUAL PLATE CHECK VALVE FKM SEAT

Stainless steel dual plate check valve for chemical and pharmaceutical industries, petrochemical industries and hydraulic installation.

Stainless steel body and disc with FKM vulcanized seat.

Wafer type with short length and with a hoisting eye from DN200 to 600 for easy installation.

Certificate

3.1



Size : DN 50 to 600

Connection : Between flanges PN10/16, PN25 or Class 150 (PN20)

Min Temperature : -10°C

Max Temperature : +180°C

Max Pressure : 16 Bars up to DN300

Specifications : FKM vulcanized seat

Horizontal or vertical position with ascendant fluid

Wafer type

Hoisting eye from DN200 to 600

Weak headloss

Materials : Stainless steel ASTM A351 CF8M body

STAINLESS STEEL DUAL PLATE CHECK VALVE FKM SEAT

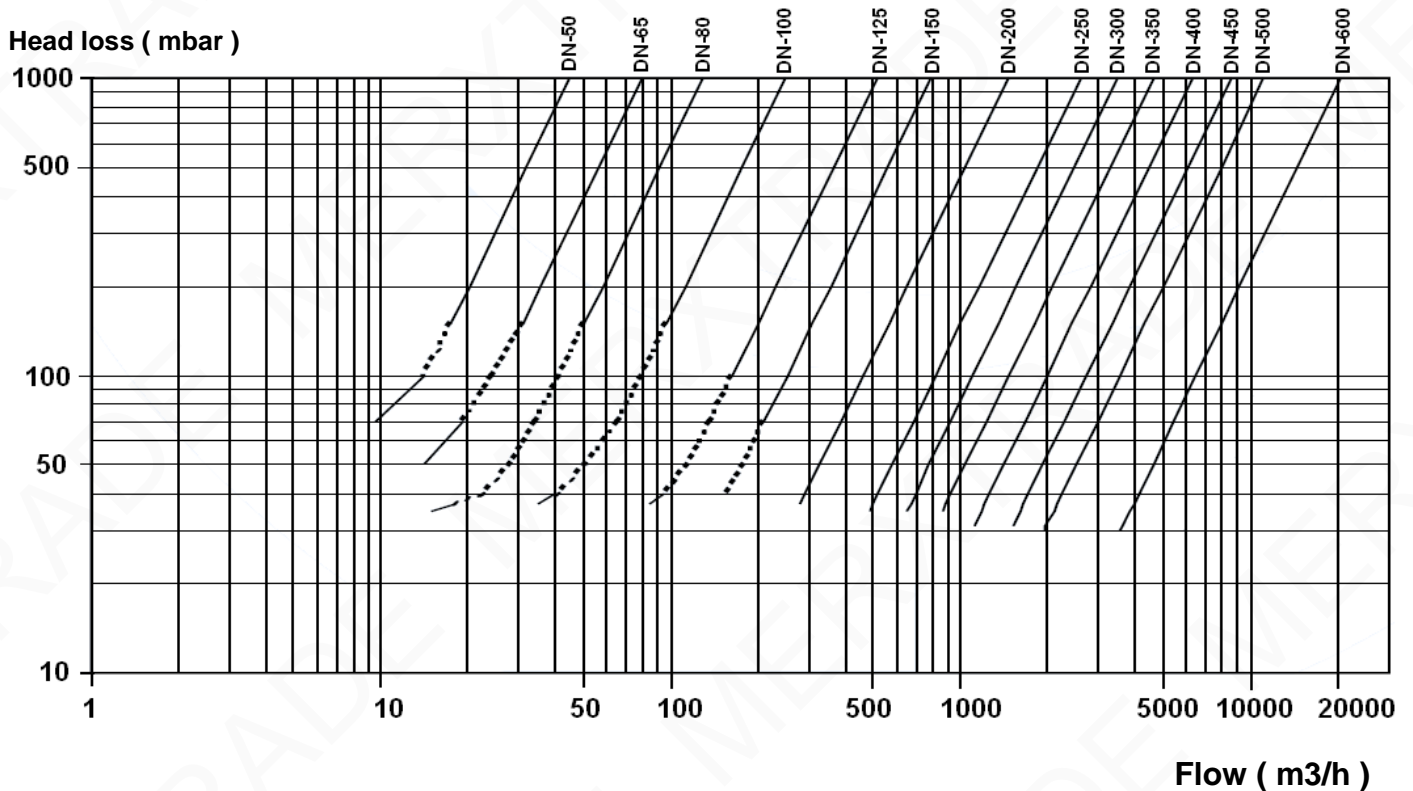
SPECIFICATIONS :

- Vulcanized gasket
- Hoisting eye from DN200 to 600
- Short length
- Anti-corrosion stainless steel spring
- PTFE bushing
- Weak head loss
- Vertical position with ascendant fluid or horizontal position (respect the flow direction indicated by the arrow)
- Between flanges PN10/16, PN25 or Class 150 PN20
- Minimum backpressure for tightness : 2 bars

USE :

- Chemical and pharmaceutical industries, petrochemical industries, hydraulic installation
- Min and max Temperature Ts : - 10°C to + 180°C
- Max Pressure Ps : 16 bars up to DN300 included and 10 bars over
- **Do not use with pulsatory speed**

HEAD LOSS GRAPH :



OPENING PRESSURE (in mbar) :

DN	50	65	80	100	125	150	200	250	300
Horizontal position	230	94	190	280	160	79	41	38	31
Vertical position ascend. fluid	260	114	230	320	180	95	57	58	56

STAINLESS STEEL DUAL PLATE CHECK VALVE FKM SEAT

RANGE :

- Dual plate check valve with Stainless steel body and disc FKM gaskets From DN50 to 600

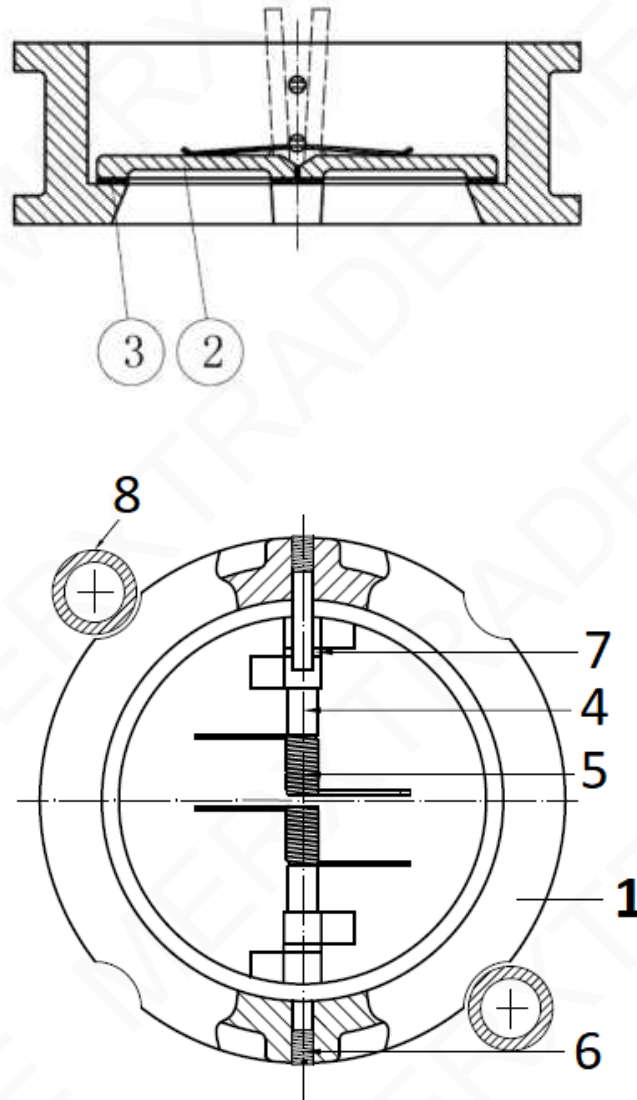
CONNECTION :

DN	50	65	80	100	125	150	200
PN	PN10/40			PN25/40	PN10/40	PN10/16	

DN	150	200	250	300	350	400	450	500	600
PN	PN25		PN10/16						

STAINLESS STEEL DUAL PLATE CHECK VALVE FKM SEAT

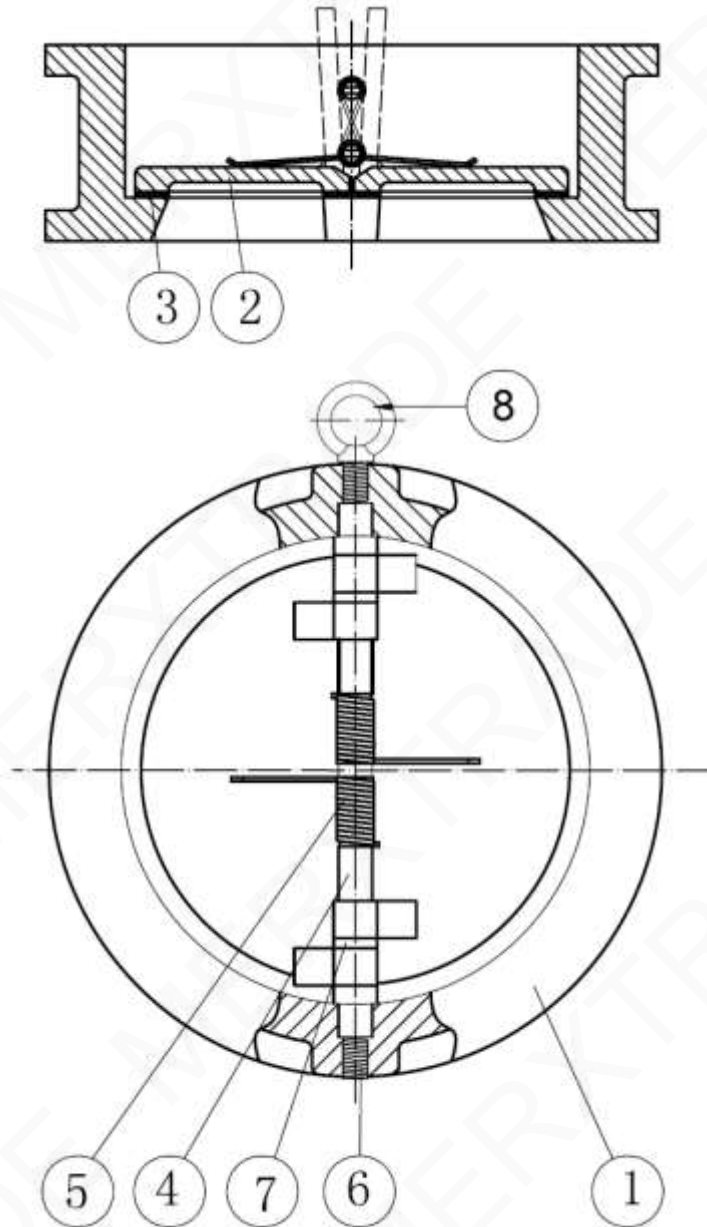
MATERIALS DN50-80 :



Item	Designation	Materials
1	Body	ASTM A351 CF8M
2	Disc	
3	Seat	FKM
4	Shaft	AISI 316
5	Spring	
6	Screw	PTFE
7	Spacer	
8 (only DN50)	Centering ring PN10/16	PPR

STAINLESS STEEL DUAL PLATE CHECK VALVE FKM SEAT

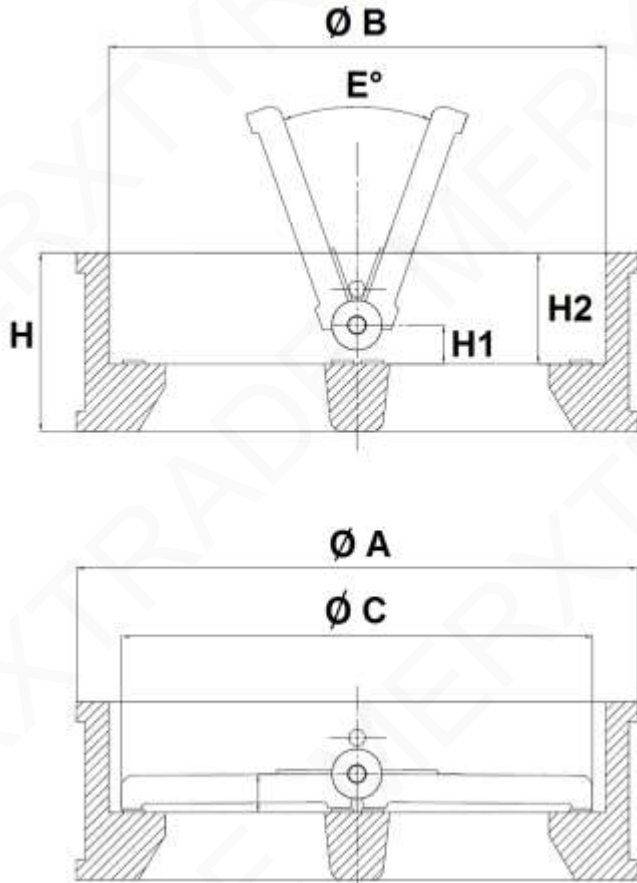
MATERIALS DN100 - 600 :



Item	Designation	Materials
1	Body	ASTM A351 CF8M
2	Disc	
3	Seat	FKM
4	Shaft	AISI 316
5	Spring	
6	Screw	
7	Spacer	PTFE
8	Hoisting eye (from DN200 to 600)	AISI 304

STAINLESS STEEL DUAL PLATE CHECK VALVE FKM SEAT

SIZE (in mm) :



PN	PN10/40 - Class 150					PN25	
DN	50	65	80	100	125	150	200
H	54	54	57	64	70	76	95
H1	14.4	16.9	19.9	21	22.3	22.5	28
H2	43	43	45	47	51	54	69
Ø A	109	129	144	164	194	226	285
Ø B	70.5	83.5	91.5	115.5	142.5	169.5	220.5
Ø C	60.5	75.8	80.5	104.5	130.3	155.9	201.2
E°	0°	0°	0°	0°	0°	0°	0°
Weight (Kg)	1.84	2.4	3.35	5.05	6.68	9.6	18.07

PN	PN25/40 CI150	PN10/16 - Class 150								
DN	100	150	200	250	300	350	400	450	500	600
H	64	76	95	108	144	184	191	203	213	222
H1	21	22.5	28	34	37	35	37.5	42.2	39.5	48.5
H2	47	54	69	71	100	120	123	122.6	132	138.5
Ø A	170	220	275	330	380	440	491	541	596	698
Ø B	115.5	169.5	220.5	275.5	325.5	356	406	467	514	616
Ø C	104.5	155.9	201.2	257.2	303.3	345.9	388.6	431.2	486.8	607.6
E°	0°	0°	0°	0°	0°	20°	20°	20°	25°	25°
Weight (Kg)	5.05	9.6	18.07	26.9	38.9	80	106	128	158	225

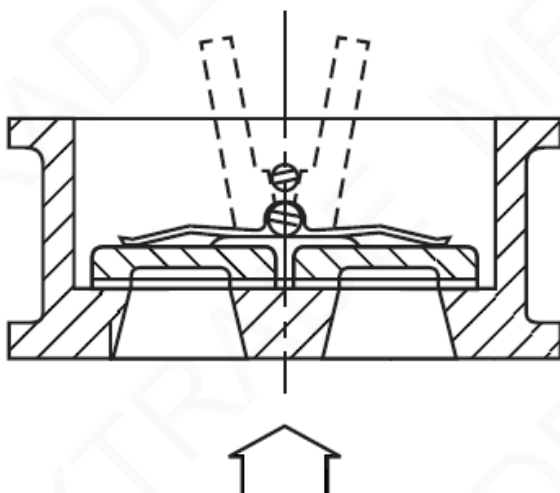
STAINLESS STEEL DUAL PLATE CHECK VALVE FKM SEAT

STANDARDS :

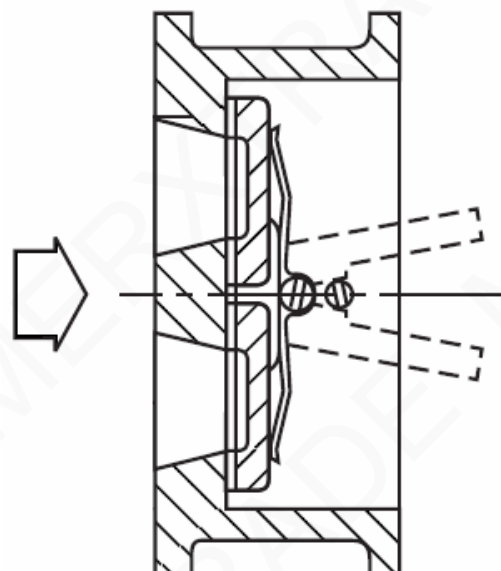
- Manufacturer certified ISO 9001 : 2015
- DIRECTIVE 2014/68/EU : For liquids and gas of Group 1
 - DN50 : Risk category I, CE marking
 - DN65-200 : Risk Category II, CE 0035 marking
 - DN250-300 : Risk Category III, CE 0035 marking
 - DN350 : Risk Category II, CE 0035 marking
 - DN400-600 : Risk Category III, CE 0035 marking
- Certificate 3.1 on request
- Designing according to API 594
- Pressure tests according to API 598, table 6
- Length according to EN 558 Series 50
- Between flanges according to EN 1092-1 PN10/16/25

INSTALLATION POSITIONS :

Vertical position (ascendant fluid)



Horizontal position



ADVICE : Our opinion and our advice are not guaranteed and MXT shall not be liable for the consequences of damages.